



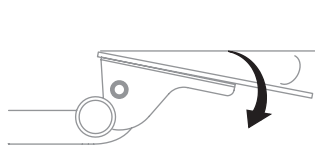
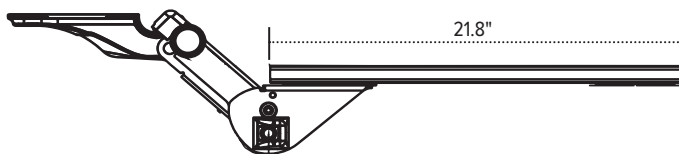
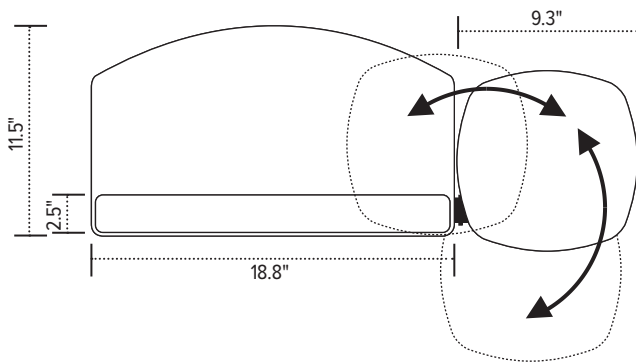
Solution 7

Keyboard platform combo

Solution 7

Keyboard platform combo

esi



Positive tilt



Negative tilt

Product specs

- Recommended for radius corner worksurfaces
- PL217 keyboard platform
 - Includes: gel palm rests, mouse pad, mouse guards, cord management clips
 - Made from black 0.3" thin phenolic
- 18.8" keyboard platform with 9.3" switch-and-click mousing platform
- Reversible design; mouse platform mounts on left or right side - no tools required
- AA750DAT articulating arm
- Lift-and-lock height adjustment
- Dial-a-tilt adjustment
- 21.8" glide track
- 22.0" clearance required for full retraction
- +10°/-15° tilt adjustment
- 7.2" height adjustment range
 - 2.3" above track | 4.9" below track
- 360° glide track rotation
- Positions flush with worksurface
- Warranty: 15 yr. (*articulating arm/platform*)
2 yr. (*palm rest/mouse pad*)



Model

SOLUTION7