

esi

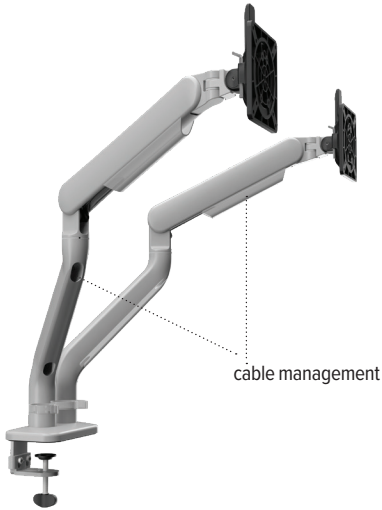


Kata™ 2  
Dual monitor arm

# Kata2

## Dual monitor arm

esi



cable management



tension adjustment



integrated tool storage



grommet mount



clamp mount

### Product specs

- Finger touch dynamic height adjustment
- Recommended for worksurfaces 36.0" deep or less
- 14.0" height adjustment range
  - 7.5"–21.5" (low/high)
- 24.6" arm extension
- 5.5" arm retraction
- +90°/-25° monitor tilt
- ±90° VESA rotation
- 4.0 lb.–20.0 lb. weight capacity (*per arm*)
- VESA 75mm/100mm quick release
- 180° lock-out feature
- Specify a grommet mount or a desk clamp mount
- 32.0" max. monitor width
  - Bezel measured left to right.*
  - Max. width is contingent on weight capacity.*
- Tension adjustment indicator for precision installation
- Capable of portrait and landscape orientation
- Partially assembled for quick installation
- Integrated cord management
- Integrated tool holder within the VESA plate keeping hex keys accessible
- Warranty: 15 yr.
- Designed for ESI by Roger Webb Associates of London

### Model #

- KATA2-DC- SLV
- KATA2-DC- BLK
- KATA2-DC- WHT
- KATA2-GM- SLV
- KATA2-GM- BLK
- KATA2-GM- WHT

### Available mounting options

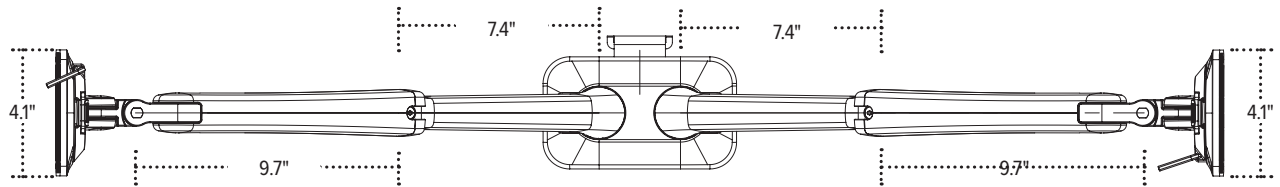
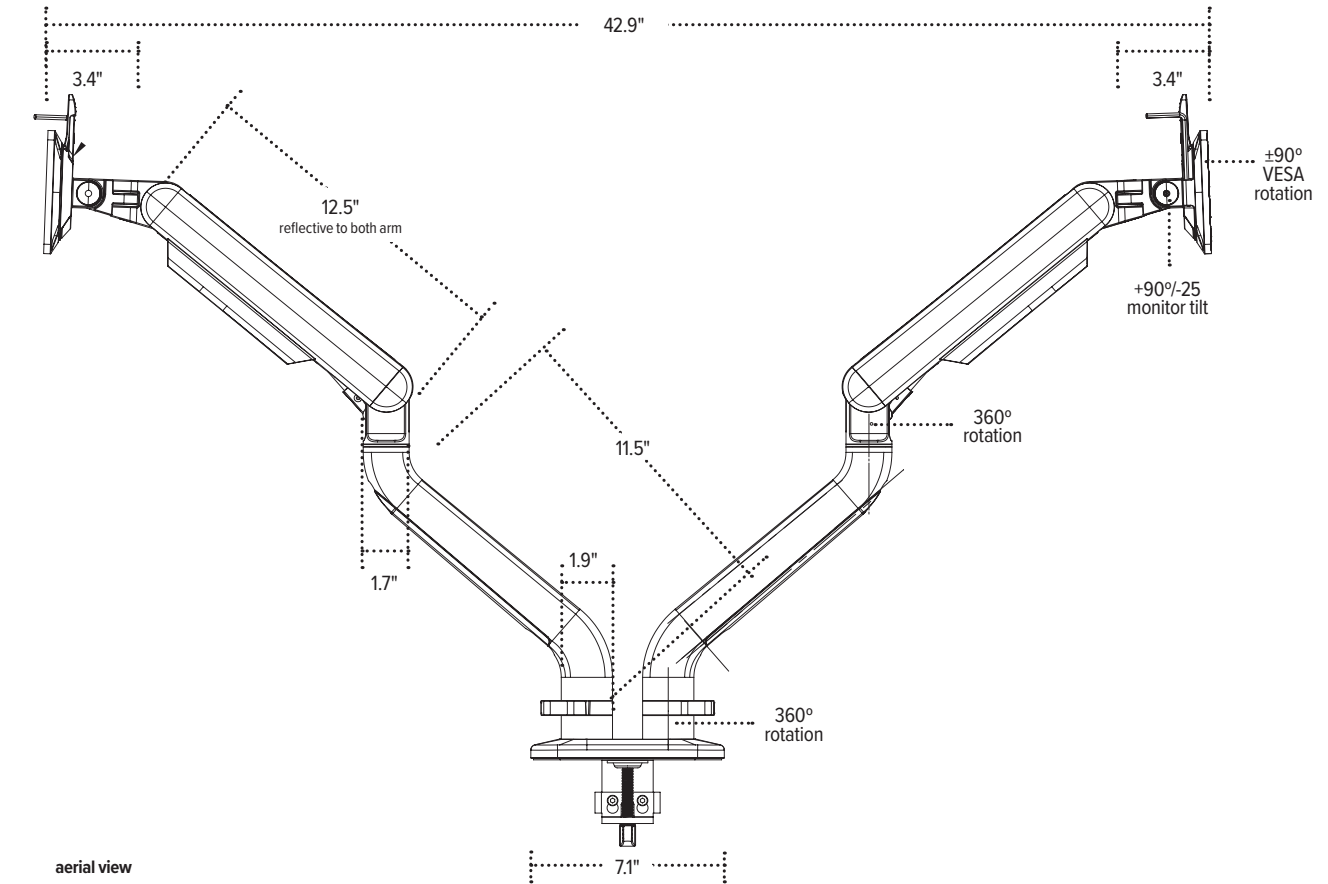
DC - Desk clamp

GM - Grommet mount

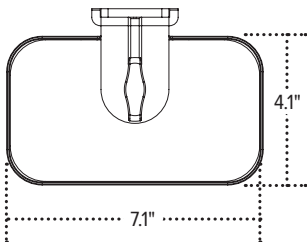
# Kata2

esi

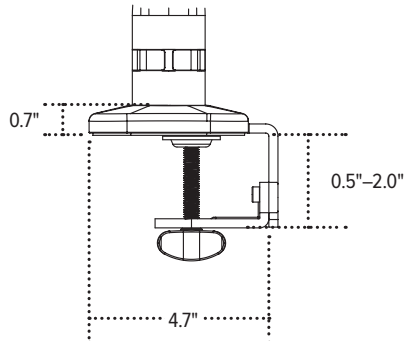
## Dual monitor arm



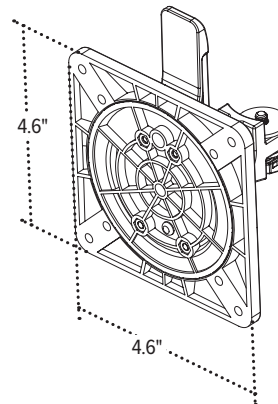
Base  
(bottom view)



Base Clamp  
(profile view)



VESA Plate



VESA  
(profile view)

