



Kata™ EX1-FM

Single fixed + motion monitor arm



KataEX1-FM

Single fixed + motion monitor arm



tension adjustment



integrated tool storage



grommet mount



desk clamp



connection sleeve

Product specs

- Finger touch dynamic height adjustment
- Recommended for worksurfaces 36.0" deep or less
- 32.2" arm extension
- 5.6" arm retraction
- +90°/-45° monitor tilt
- ±90° VESA rotation
- 4.0 lb.–20.0 lb. weight capacity
- 16.0" pole height (includes base)
- VESA 75mm/100mm quick release
- 180° lock-out feature
- Specify a grommet mount or a desk clamp mount
- Tension adjustment indicator for precision installation
- Each connection sleeve can accommodate up to three monitors depending on the configuration
- Partially assembled for quick installation
- Integrated cord management
- Integrated tool holder
- Meets or exceeds ANSI/BIFMA x5.5 guidelines
- Designed for ESI by Roger Webb Associates of London
- Warranty: 15 yr.

Model

- KATAEX1-DC-FM-SLV
- KATAEX1-DC-FM-BLK
- KATAEX1-DC-FM-WHT
- KATAEX1-GM-FM-SLV
- KATAEX1-GM-FM-BLK
- KATAEX1-GM-FM-WHT

KataEX monitor arm key Available mounting options

- | | |
|------------------------|--------------------|
| F - Fixed monitor arm | DC - Desk clamp |
| M - Motion monitor arm | GM - Grommet mount |
| S - Slider mount | |

KataEX for every need

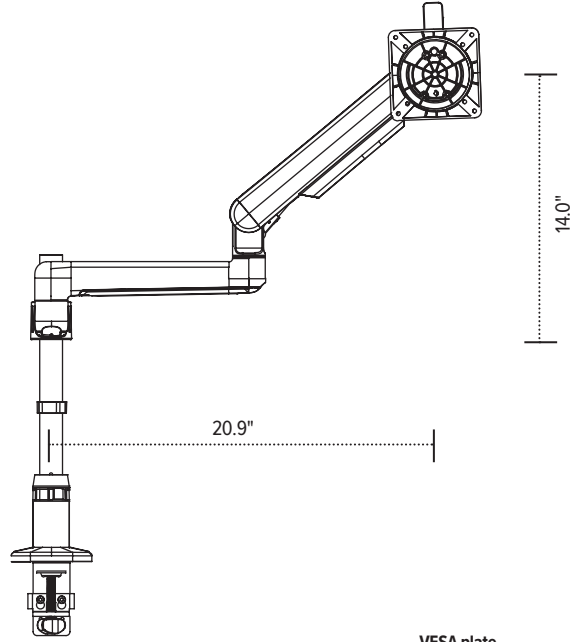
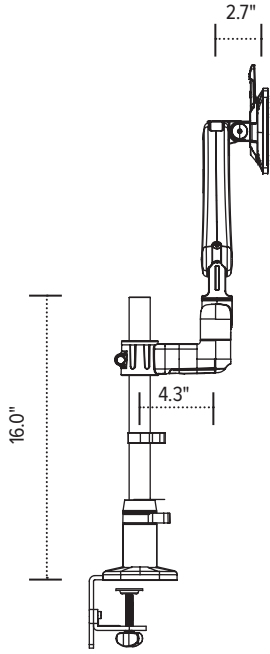
- As workstation needs change, so can the KataEX configurations. Additional components sold separately
- Benching system mount(s) available

Call our Customer Service Department for compatibility and pricing for custom configurations.

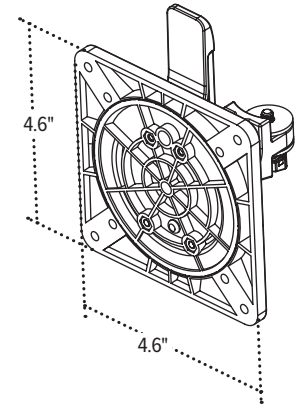
KataEX1-FM

Single fixed + motion monitor arm

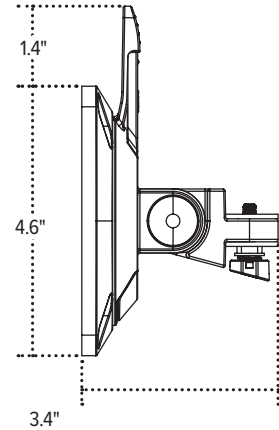
esi



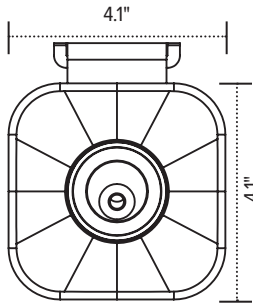
VESA plate



VESA mount
Profile view



Base



Base

