



Kata™ EX1-M

Single motion monitor arm



KataEX1-M

Single motion monitor arm



tension adjustment



integrated tool storage



grommet mount



desk clamp



connection sleeve

Product specs

- Finger touch dynamic height adjustment
- Recommended for worksurfaces 30.0" deep or less
- 21.4" arm extension
- 7.1" arm retraction
- +90°/-45° monitor tilt
- ±90° VESA rotation
- 4.0 lb.–20.0 lb. weight capacity
- 16.0" pole height (includes base)
- VESA 75mm/100mm quick release
- 180° lock-out feature
- Specify a grommet mount or a desk clamp mount
- Tension adjustment indicator for precision installation
- Each connection sleeve can accommodate up to three monitors depending on the configuration
- Partially assembled for quick installation
- Integrated cord management
- Integrated tool holder
- Meets or exceeds ANSI/BIFMA x5.5 guidelines
- Designed for ESI by Roger Webb Associates of London
- Warranty: 15 yr.

Model

- KATAEX1-DC-M-SLV
- KATAEX1-DC-M-BLK
- KATAEX1-DC-M-WHT
- KATAEX1-GM-M-SLV
- KATAEX1-GM-M-BLK
- KATAEX1-GM-M-WHT

KataEX monitor arm key

- F - Fixed monitor arm
- M - Motion monitor arm
- S - Slider mount

Available mounting options

- DC - Desk clamp
- GM - Grommet mount

KataEX for every need

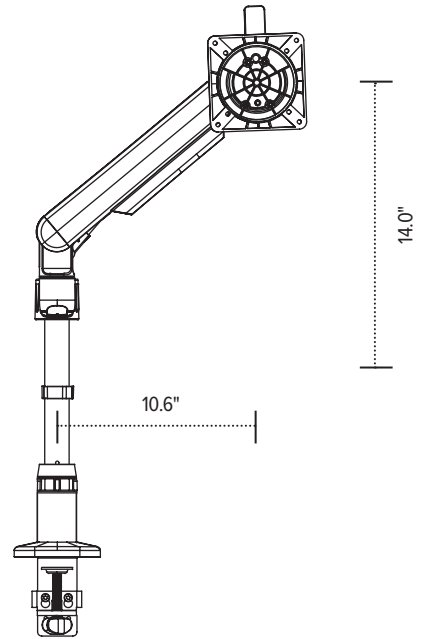
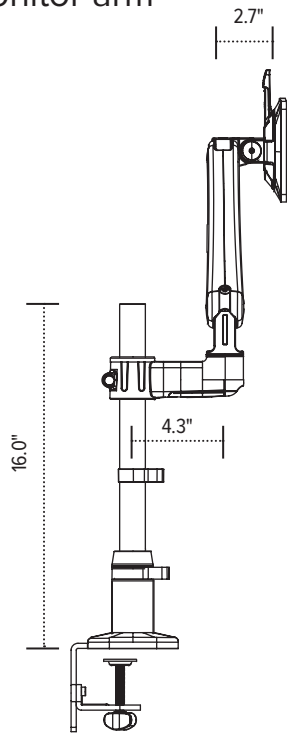
- As workstation needs change, so can the KataEX configurations. Additional components sold separately
- Benching system mount(s) available

Call our Customer Service Department for compatibility and pricing for custom configurations.

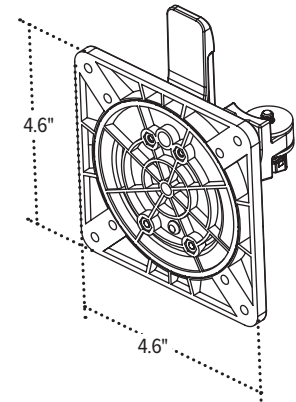
KataEX1-M

Single motion monitor arm

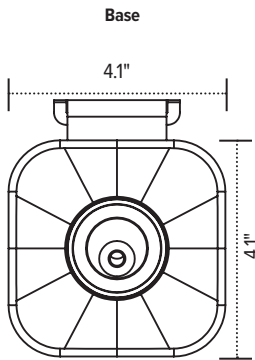
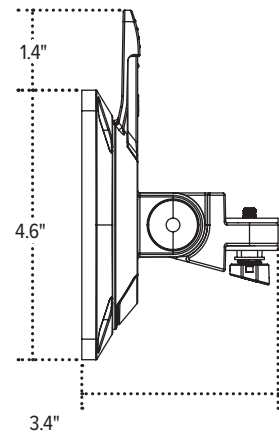
esi



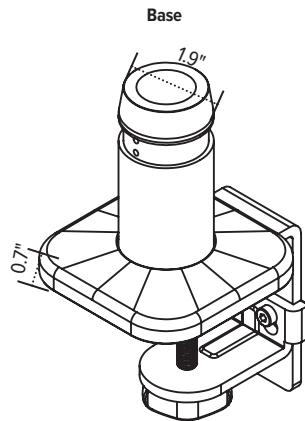
VESA plate



VESA mount
Profile view



Base



Base