



# Kata™ EX2-FS

Dual fixed + slider monitor arm



# KataEX2-FS

Dual fixed + slider monitor arm

esi



tension adjustment



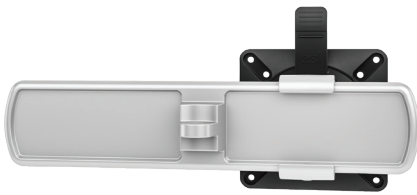
integrated tool storage



grommet mount



desk clamp



slider mount



connection sleeve

## Product specs

- Manual height adjustment
- Recommended for worksurfaces 30.0" deep or less
- 22.2" arm extension
- 7.8" arm retraction
- +90°/-45° monitor tilt
- ±90° VESA rotation
- Up to 20.0 lb. weight capacity (*per arm*)
- 16.0" pole height (*includes base*)
- VESA 75mm/100mm quick release
- 180° lock-out feature
- Specify a grommet mount or a desk clamp mount
- Slider provide 9.5" of additional horizontal adjustability
- Tension adjustment indicator for precision installation
- Each connection sleeve can accommodate up to three monitors depending on the configuration
- Partially assembled for quick installation
- Integrated cord management
- Integrated tool holder
- Meets or exceeds ANSI/BIFMA x5.5 guidelines
- 32.0" max. monitor width  
*Bezel measured left to right.*  
*Max. width is contingent on weight capacity.*
- Designed for ESI by Roger Webb Associates of London
- Warranty: 15 yr.

## Model #

- KATAEX2-DC-FS-SLV
- KATAEX2-DC-FS-BLK
- KATAEX2-DC-FS-WHT
- KATAEX2-GM-FS-SLV
- KATAEX2-GM-FS-BLK
- KATAEX2-GM-FS-WHT

## KataEX monitor arm key Available mounting options

- |                        |                    |
|------------------------|--------------------|
| F - Fixed monitor arm  | DC - Desk clamp    |
| M - Motion monitor arm | GM - Grommet mount |
| S - Slider mount       |                    |

## KataEX for every need

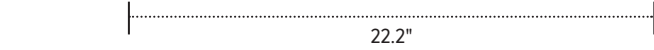
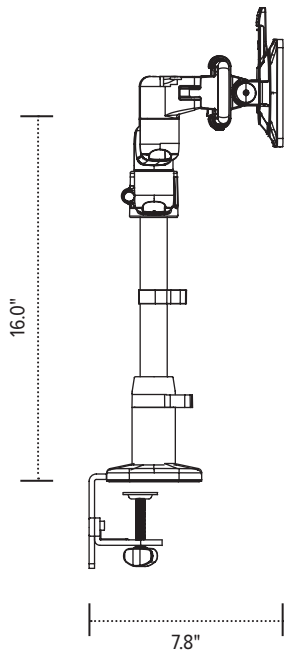
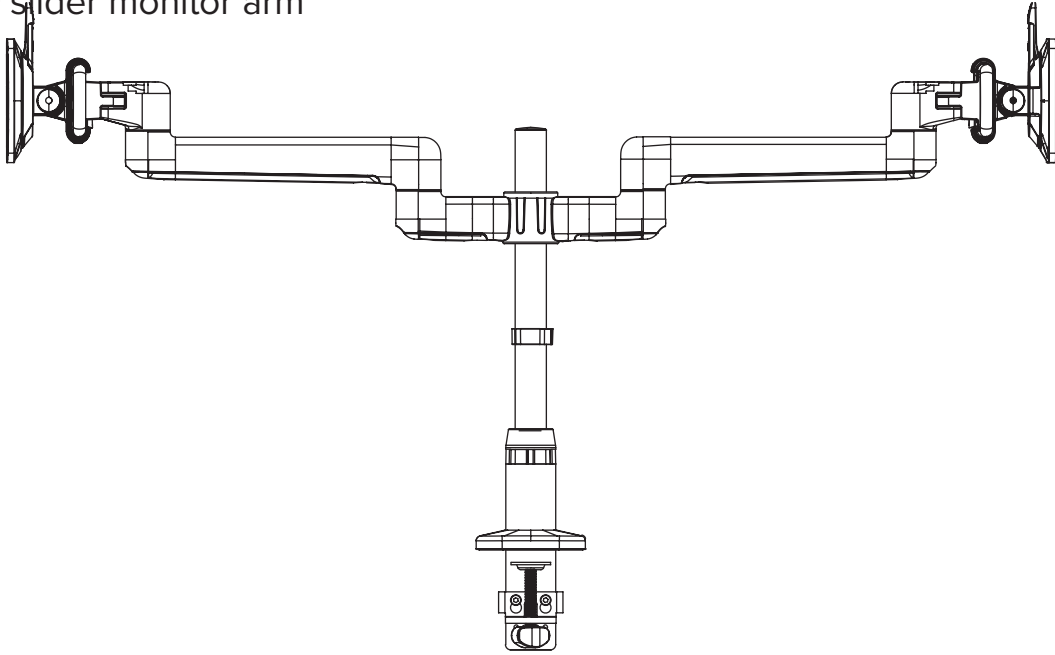
- As workstation needs change, so can the KataEX configurations. Additional components sold separately
- Benching system mount(s) available

Call our Customer Service Department for compatibility and pricing for custom configurations.

# KataEX2-FS

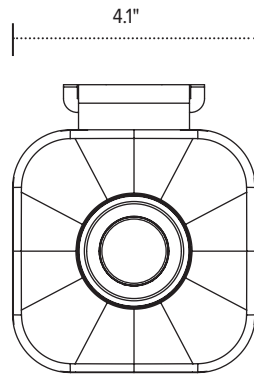
esi

Dual fixed + slider monitor arm

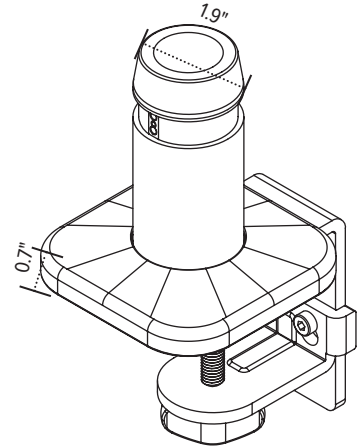


Base

Base



VESA plate



VESA mount  
(profile view)

