



Kata™ EX6-FF

Six fixed + fixed monitor arm

KataEX6-FF

Six fixed + fixed monitor arm

esi



tension adjustment



integrated tool storage



grommet mount



desk clamp



connection sleeve

Product specs

- Manual height adjustment
- Recommended for worksurfaces 30.0" deep or less
- 31.7" outside arm extension
- 11.1" center arm extension
- 7.1" arm retraction
- +90°/-45° monitor tilt
- ±90° VESA rotation
- Up to 20.0 lb. weight capacity (*per arm*)
- 28.0" pole height (*includes base*)
- VESA 75mm/100mm quick release
- 180° lock-out feature
- Desk clamp mount only
- Tension adjustment indicator for precision installation
- Each connection sleeve can accommodate up to three monitors depending on the configuration
- Partially assembled for quick installation
- Integrated cord management
- Integrated tool holder
- Meets or exceeds ANSI/BIFMA x5.5 guidelines
- 24.0" max. monitor width
Bezel measured left to right.
Max. width is contingent on weight capacity.
Note: monitor height/weight might limit size
- Designed for ESI by Roger Webb Associates of London
- Warranty: 15 yr.

Model

- KATAEX6-DC-FF-SLV
- KATAEX6-DC-FF-BLK
- KATAEX6-DC-FF-WHT

KataEX monitor arm key

- F - Fixed monitor arm
- M - Motion monitor arm
- S - Slider mount

Available mounting options

- DC - Desk clamp
- GM - Grommet mount

KataEX for every need

- As workstation needs change, so can the KataEX configurations. Additional components sold separately
- Benching system mount(s) available

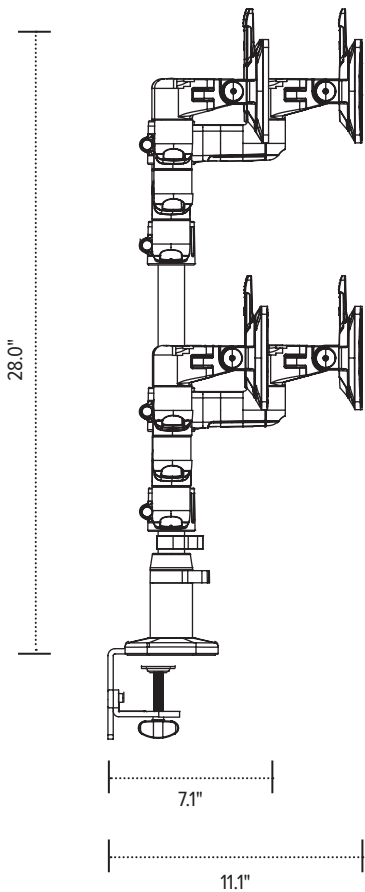
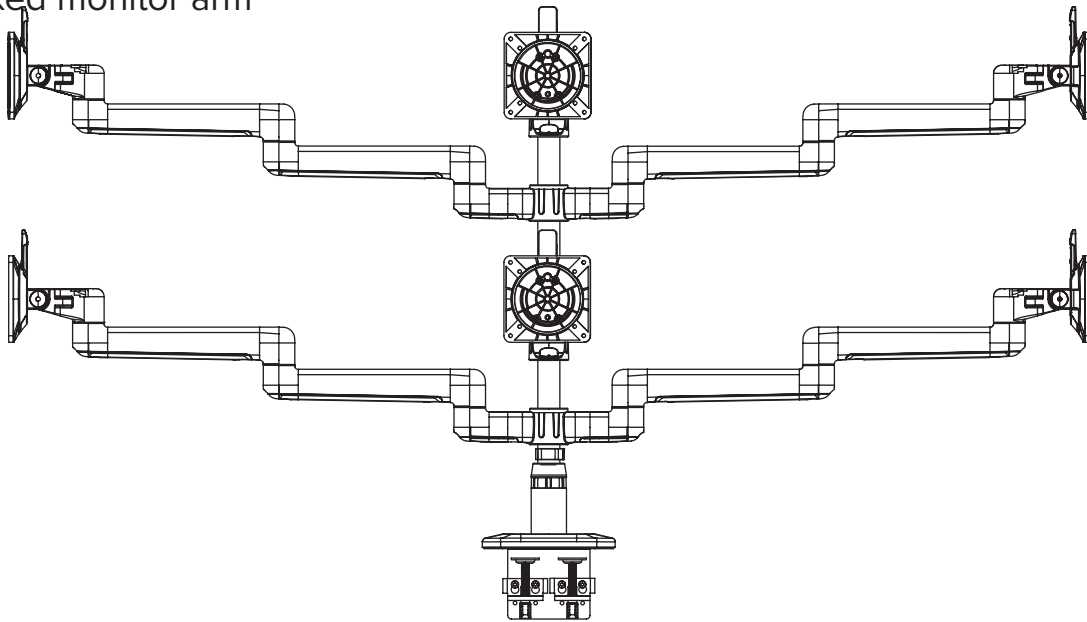
Call our Customer Service Department for compatibility and pricing for custom configurations.

KODAK XE6-6FF

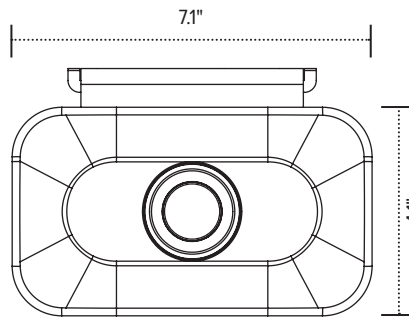
Six fixed + fixed monitor arm



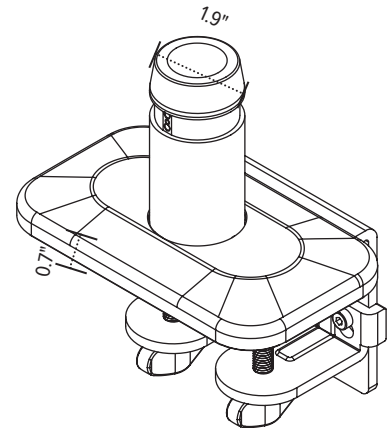
Six fixed + fixed monitor arm



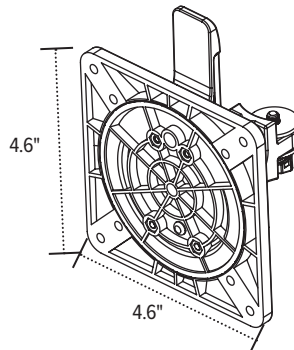
Base



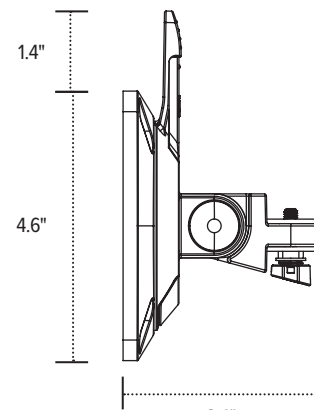
Base



VESA plate



VESA mount (profile view)



3.4"