



Kata™ EX6-FMS
Six fixed + motion + slider monitor arm

KataEX6-FMS



Dix fixed + motion + slider monitor arm



tension adjustment



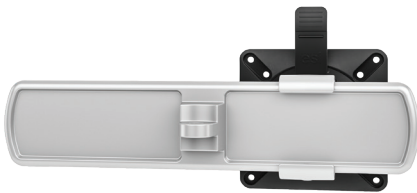
integrated tool storage



grommet mount



desk clamp



slider mount



connection sleeve

Product specs

- Finger touch dynamic height adjustment
- Recommended for worksurfaces 30.0" deep or less
- 33.4" outside arm extension
- 11.1" center arm extension
- 6.6" arm retraction
- +90°/-45° monitor tilt (*slider & standard mounts*)
- ±90° VESA rotation
- Up to 20.0 lb. weight capacity (*per center arm*)
- 2.5 lb.–18.5 lb. weight capacity (*per outside arm*)
- 28.0" pole height (*includes base*)
- VESA 75mm/100mm quick release
- 180° lock-out feature
- Desk clamp mount only
- Slider provide 9.5" of additional horizontal adjustability
- Tension adjustment indicator for precision installation
- Each connection sleeve can accommodate up to three monitors depending on the configuration
- Partially assembled for quick installation
- Integrated cord management
- Integrated tool holder
- Meets or exceeds ANSI/BIFMA x5.5 guidelines
- 28.5" max. monitor width
Bezel measured left to right.
Max. width is contingent on weight capacity.
Note: monitor height/weight might limit size
- Designed for ESI by Roger Webb Associates of London
- Warranty: 15 yr.

Model

- KATAEX6-DC-FMS-SLV
- KATAEX6-DC-FMS-BLK
- KATAEX6-DC-FMS-WHT

KataEX monitor arm key

- F - Fixed monitor arm
- M - Motion monitor arm
- S - Slider mount

Available mounting options

- DC - Desk clamp
- GM - Grommet mount

KataEX for every need

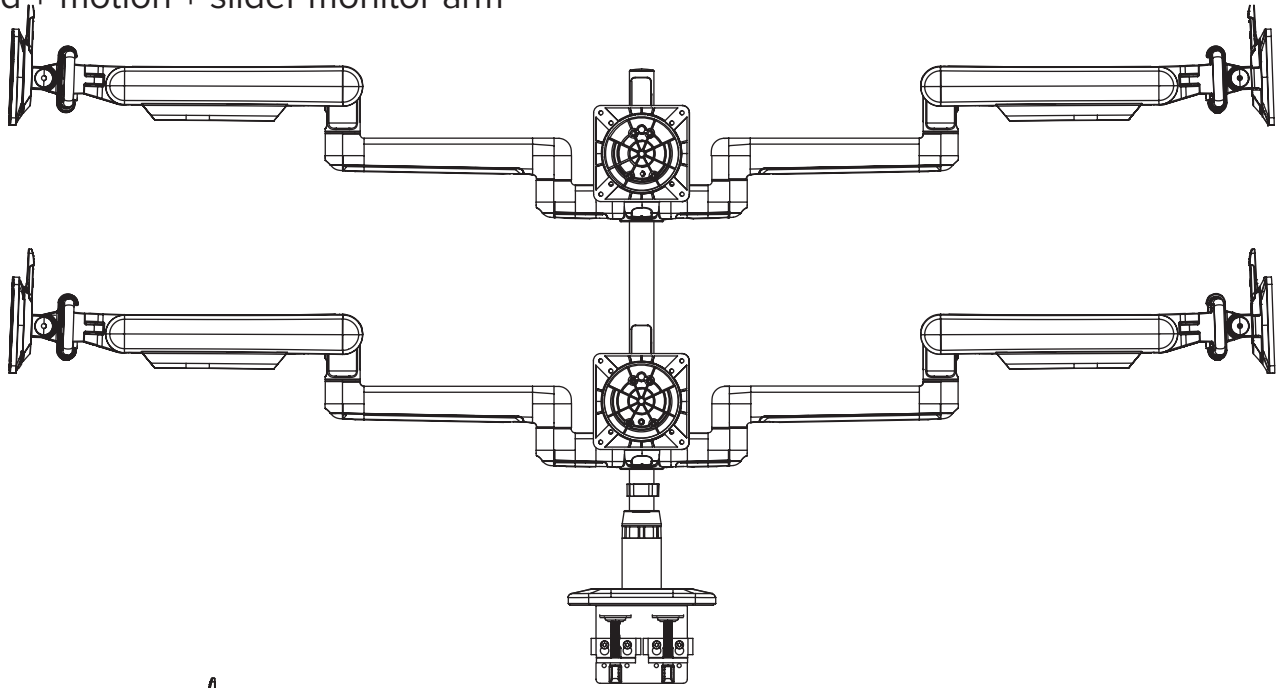
- As workstation needs change, so can the KataEX configurations. Additional components sold separately
- Benching system mount(s) available

Call our Customer Service Department for compatibility and pricing for custom configurations.

KataEX6-FMS



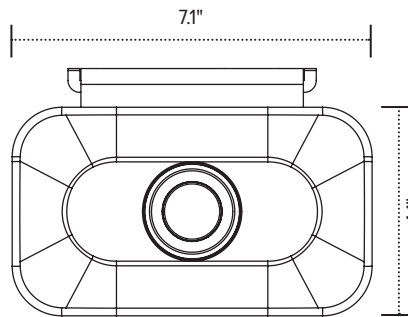
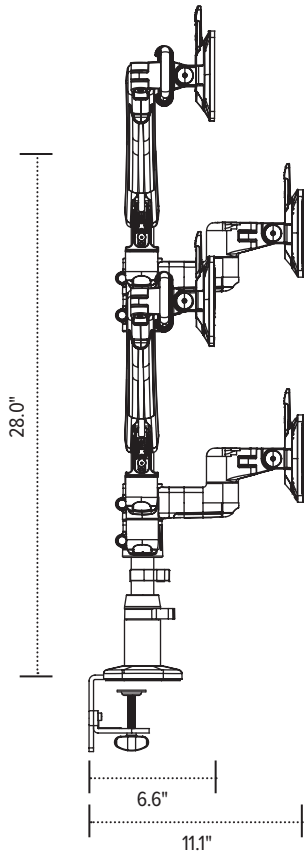
Dix fixed + motion + slider monitor arm



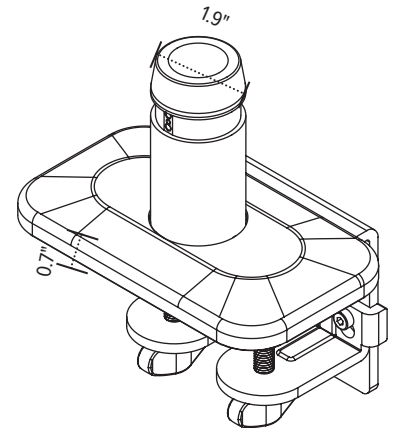
33.4"

Base

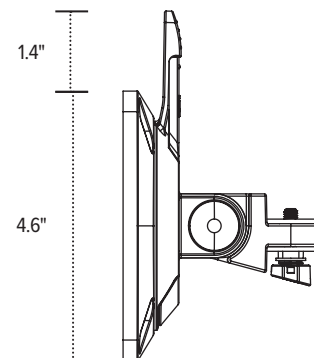
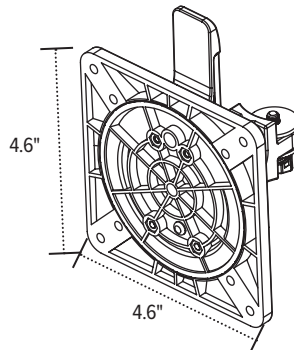
Base



VESA plate



VESA mount
(profile view)



3.4"



FAMILY BUSINESS
SINCE 1917